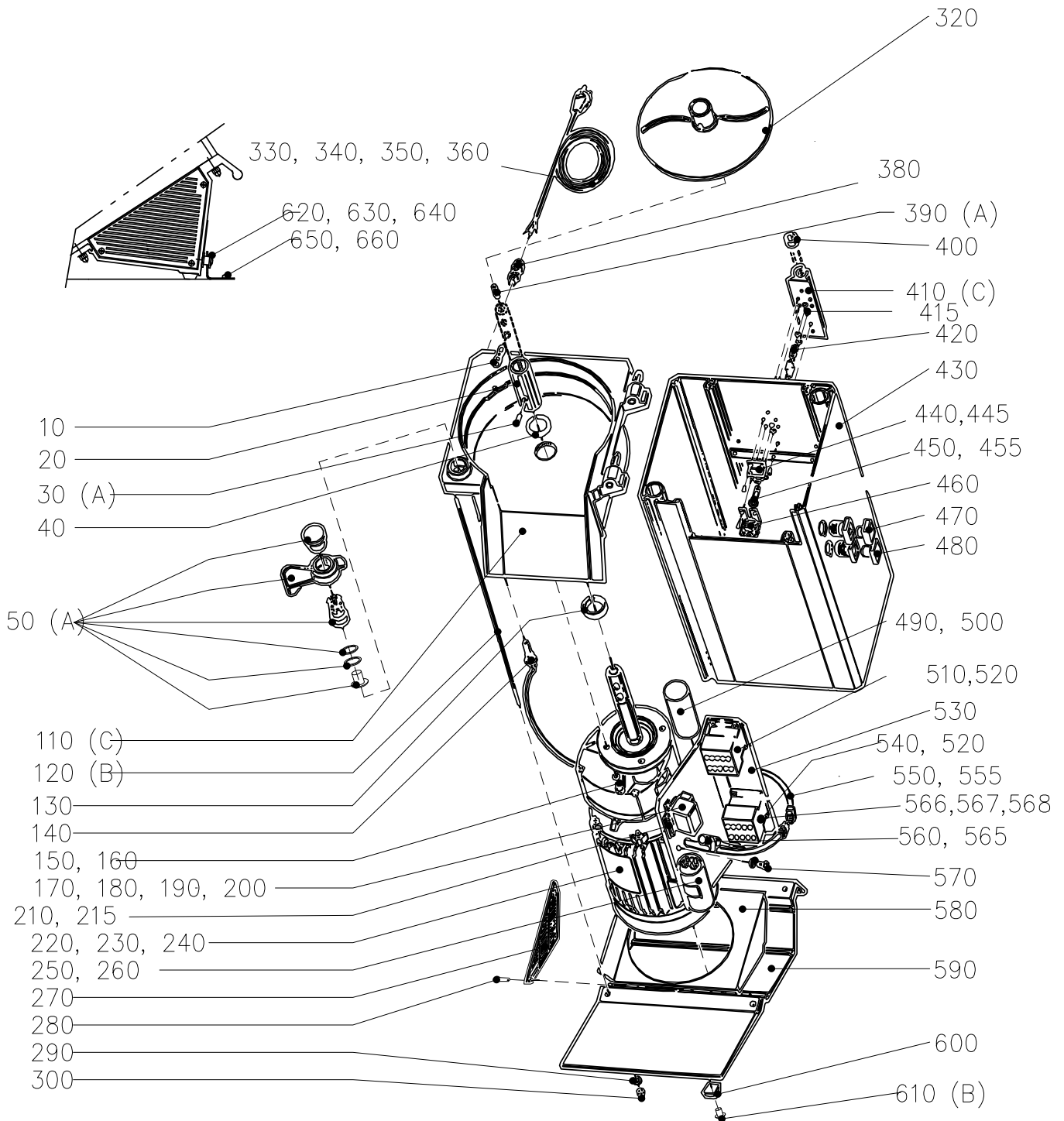


RG-350

No. on drawing	Item No.	Description	Pcs
10	40548	Carrier pin	1
20	15783	Thrust sleeve	1
30	15784	Carrier pin for ejector plate	2
40	10311	Seal ring V-35S	1
50	40524	Locking handle complete	1
110	40540	Knife chamber	1
120	40629	Pin screw set	1
130	10444	Seal ring basl 35X52X10	1
140	15354	Magnetic switch HM-S-16	1
150	14086	Lock washer FBB 6.1 A2	4
160	14525	Screw M6S M6X20	4
170	15510	Start relay kit 230v	1



A: LOCTITE NO.242

B: LOCTITE NO.243

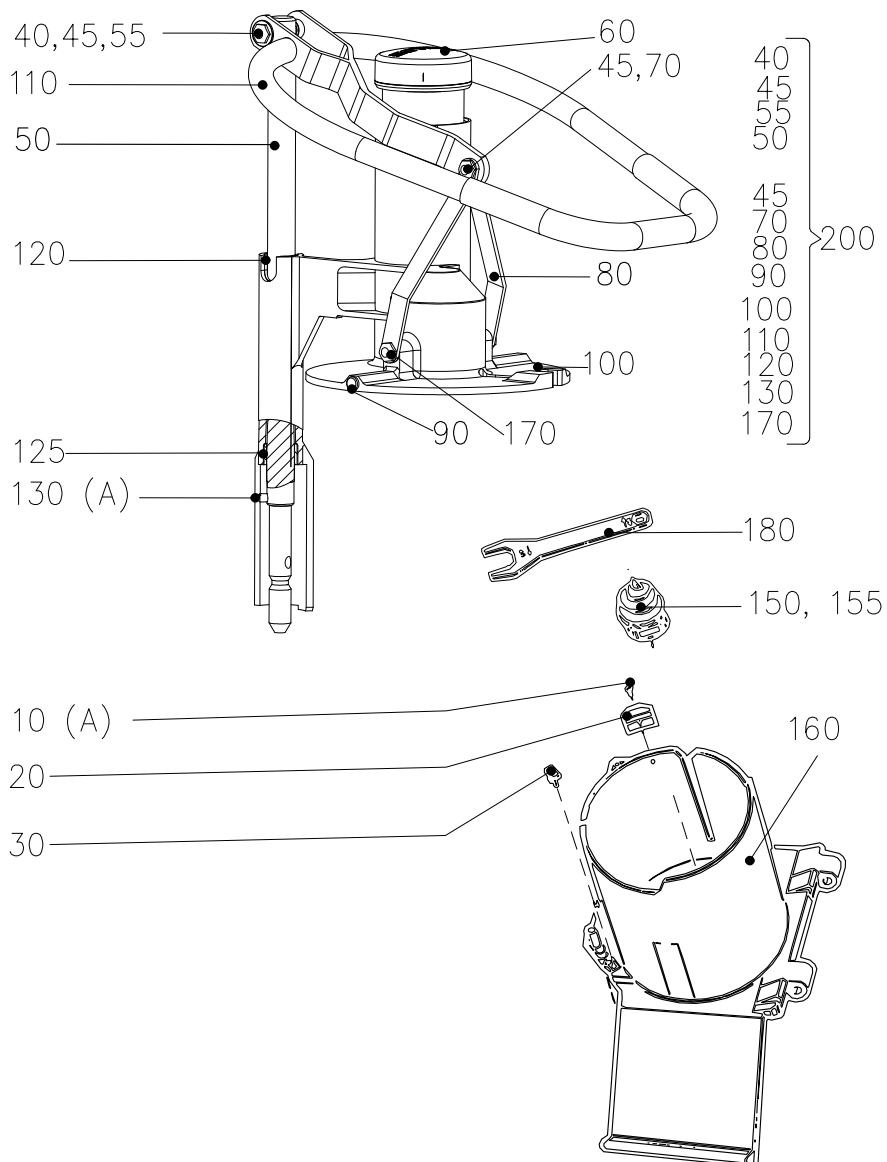
C: SILICONE RTV 108 ALL THE WAY AROUND HOUSING

RG-350

No. on drawing	Item No.	Description	Pcs
180	40807	Start relay kit 230v	1
190	15503	Start relay no260 klixon 110v	1
200	40814	Start relay kit 110v	1
210	15384	Fuse T100MA	1
215	15385	Fuse holder	1
220	15780	Motor CB1701-4SB5 110-120 1 60	1
230	15781	Motor 220-240 1 50/60	1
240	15782	Motor CB1701-4SB5 400 3 50	1
250	15502	Capacitor,start 193MICROF 110v	1
260	15154	Kondensator	1
270	1096	Louver kit	1
280	14248	Screw KFX-H ST3,5X9,5 A2 70	6
290	14085	Lock washer FBB 5,1 A2	6
300	1267	Nut,domed head M5	4
320	3086	Ejector plate	1
330	15147	Supply cord CB 1 phase RG-100/200/250/350/VCB-61/VCM-41	1
340	15377	Supply cord BS/2.5MS UK	1
350	15208	Supply cord SJT3X14 AWG, US	1
360	15142	Supply cord CB 3 phse	1
380	15483	Cable retain. met.PR15.2 dia10	2
390	14844	Locking screw PSS M8X 12 A2 70	1
400	40680	Bushing	2
410	40637	Bracket incl screws	1
415	10500	Sealring 06X2.2 N70BN02F	2
420	40638	Activator pin short compl.	1
430	40567	Housing assembly compl.	1
440	40640	Microswitch unit single compl.	1
445	15481	Micro switch BVMF ULS	1
450	40639	Activator pin long compl.	1
455	10499	Spring SF-TFR 0,75-6-15	2
460	40641	Microswitch unit double compl.	1
470	15657	Push button o compl.	1
480	15440	Push button 1 complete	1
490	15501	Capasitor,run 80MICROF. 110v	1
500	15489	Capasitor 16 MF, 220-240V	1
510	15810	Contactactor 11BG0610A230	2
520	15815	Contactactor BF1210A110	1
530	40632	Panel incl. fasteners	1
540	15813	Contactactor 11BG0910A110	1
550	40787	Wring loom, LS-relay	1
555	40800	Wiring loom 3-phase	1
560	15132	RC-circuit B3-110 110v	1
565	15110	RC-circuit 230v	1
566	15819	Overload relay RF381800V195	1
567	15816	Overload RF120630	1
568	15812	Overload relay RF381400V195	1
570	14339	Screw MRX-H M5X12 A2 70	6
580	40547	Fan plate	1
590	40622	Base	1
600	10507	Foot, rubber BVO 22H10	4
610	40786	Screw for rubberfoot	4
620	10497	Bushing plastic 05-6-10-7.5	1
630	10498	Easher plastic 32-6	2
640	14465	Screw LSKS M6X20 A2 70	1
650	40780	Bracket	1
660	14990	Screw CSS 4.8X25 A2	2
	40689	Rear bracket for shaft compl.	1

RG-350 MANUAL FEEDER, ERGO LOOP

No. on drawing	Item No.	Description	Pcs
10	14223	Screw MKFS M4X 10 A2 70	2
20	40628	Support plate	1
30	40627	Sliding washer	1
40	25162	Shaft L=45	1
45	25190	Screw	2
50	40844	Pusher shaft	1
55	40848	Bushing	2
60	40554	Pestle	1
70	40849	Nut L=12,5	1
80	40894	Pusher link	2
90	40575	Slide knob	3
100	40876	Pusher plate Ergo compl.	1
110	40845	Pusher handle ergo	1
120	40846	Bushing 20.4/25X30	1
125	40762	Bushing 25X13	1
130	1054	Pin	1
150	3129	Decoring device 3ph	1
155	40636	Decoring device 1ph compl.	1
160	40887	Feed cylinder compl.	1
170	25191	Screw for link system	2
180	3162	Wrench	1
200	40869	Push feeder handle	1



RG-350 FEED HOPPER

No. on drawing	Item No.	Description	Pcs
20	40627	Sliding washer	1
70	10343	Handle l280/65-M8	1
80	3149	Stud screw	1
100	1054	Pin	1
110	40892	Sliding sleeve	1
120	40890	Locking shaft	1
130	40891	Stiring sleeve	1
160	3311	Agitator arm	1
170	40893	Stirer	1
180	14028	Nut MHM M8	1
200	3162	Wrench	1
210	10036	Lobe knob 25-M5	1
220	10281	Locking washer 12X21	1
230	10306	Plug	1

